



2N® LTE Verso

2N® LTE Verso combines minimum installation costs with a full feature set. Using LTE technology means no other cable apart from a power supply is needed, with a benefit of all advanced functionalities such as a video communication. The main unit with HD camera can be accompanied by RFID, Bluetooth or biometrics supporting modules.



Villas
Small office-home office

Family houses
Office building

Ideal retrofit solution

Thanks to LTE connection 2N® LTE Verso is not depending on available wiring and answering units. Together with 2N® Mobile Video service it offers full range of features like video calls to mobile devices and 2N answering units just like wired intercom.

Secure configuration via cloud

Connect 2N® LTE Verso to the LTE network and then use 2N® Mobile Video service on My2N.com to configure all its features from anywhere in the world via secured VPN connection.

Pick any of the 14 modules available

2N® LTE Verso is using a standard BUS and therefore it can be connected to any of the additional modules, e.g. RFID, Bluetooth or biometrics. Choose a module with technology that suits you the most.

2N® LTE Verso

FEATURES & BENEFITS

MINIMUM INSTALLATION COSTS

The LTE intercom doesn't need any cables and therefore it's an ideal solution for retrofit in older buildings where addition wiring installation would be uneconomical.

MODULARITY

The modularity of this IP intercom allows you to configure it to your requirements. Select the specific module, accessories and configurable functions.

MOBILE CREDENTIALS ARE FOR FREE

Unlike our competitors, 2N offers mobile credentials for free. It means that you do not need to pay 6-10USD per each credential. Simply install the app and start to use it without any further fees!

CALLS TO MOBILE PHONE AND TABLET

2N® LTE Verso will also allow you to call a mobile phone or tablet, over the local network via wi-fi or over cellular data.

CAMERA WITH NIGHT VISION

See who is standing in front of your door, even in total darkness. Moreover, the camera is hidden from normal view. The intruder has no clue they're being monitored.

SIP SUPPORT WITH NO SERVER NEEDED

SIP protocol support makes it easy to link the intercom with IP phones and PBX from other producers, without having to connect to the server.

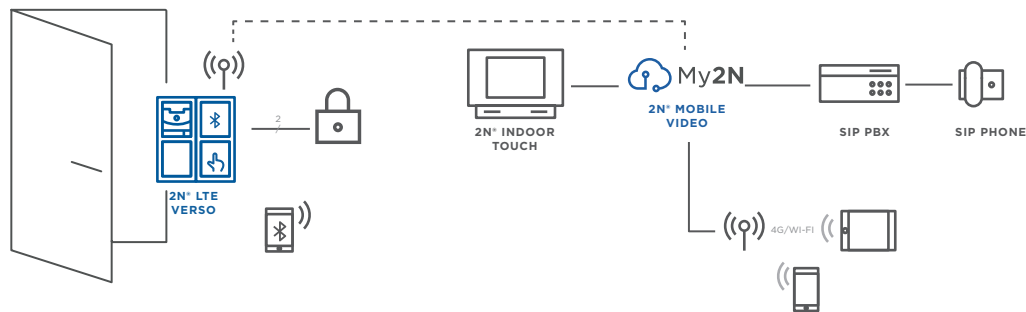
PICTURE TO EMAIL

2N® LTE Verso allows you to email snapshots of the visitor captured by the camera at the time of the call..

ACCESS CONTROL

Achieve a greater level of security for all those at its location. 2N® LTE Verso makes it easy to prevent the entry of unauthorized persons.

DIAGRAM



TECHNICAL PARAMETERS

Signalling protocol

SIP 2.0 (RFC - 3261)

Buttons

Buttons	Transparent buttons with white backlight and easily removable label
Number of buttons	1 to 146
Numeric keypad	Optional

Audio

Microphone	1 built-in microphone
Speaker	2W
Sound pressure at 1 kHz at 1 m distance	78 dB

Audio stream

Codecs	G.711, G.729, G.722, L16/16kHz
--------	--------------------------------

Camera (optional)

Resolution - JPEG	1280 x 960 px
Resolution - video call	640 x 480 px
Viewing angle	120° (H), 90° (V), 145° (D)
Night vision	Yes

Video stream

Codecs	H.263+, H.263, H.264, MJPEG, MPEG-4
--------	-------------------------------------

Interfaces

Power supply	12V ± 15%/ 2A DC,
Network connection	PoE 802.3af (Class 0 - 12.95W)
LAN	LTE FDD Cat.1, 3GPP release 9 compliant 4G Bands (MHz): B1(2100), B3(1800), B7(2600), B8(900), B20(800) Output power - Class 3 (0.2 W, 23 dBm) @ LTE
Switch output	NC/NO contacts, max 30 V/1 A AC/DC
Connection speed	Uplink up to 5 Mbps Downlink up to 10 Mbps
Supported protocols	SIP2.0, DHCP opt. 66, ONVIF, SMTP, 802.1x, RTSP, RTP, TFTP, HTTP, HTTPS, Syslog

Mechanical properties

Operating temperature	-40°C - 60°C, touch display -30°C - 60°C
Storage temperature	-40°C - 70°C
Operating relative humidity	10%-95% (non-condensing)
Coverage level	IP 54, IK08, touch display IK07

Dimensions

Dimensions depend on configuration of the modules and installation type - see www.2n.cz for details.

SOFTWARE

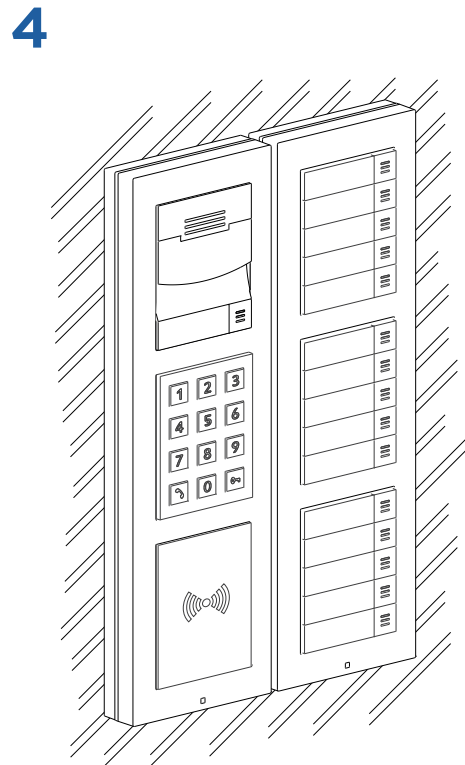
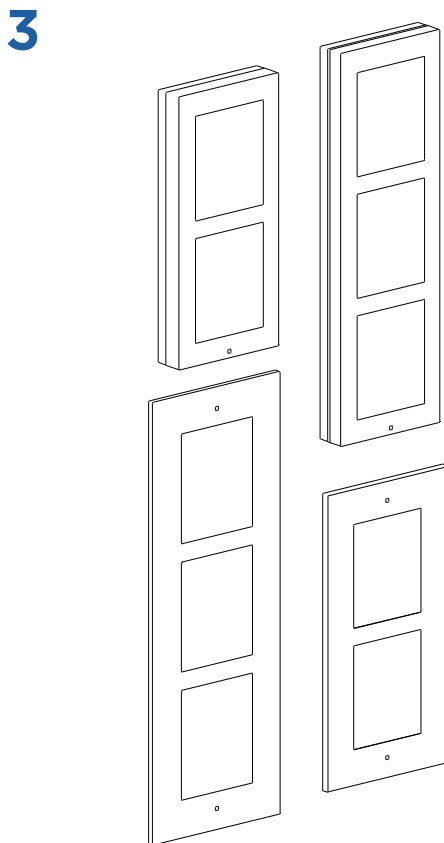
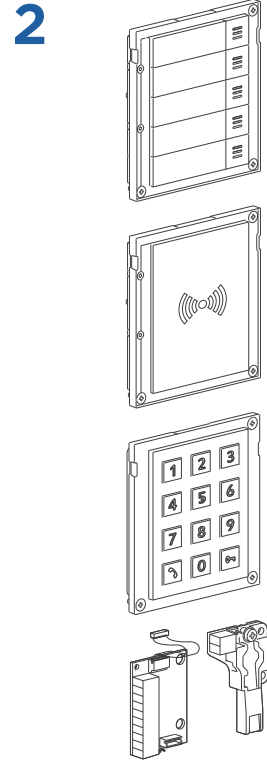
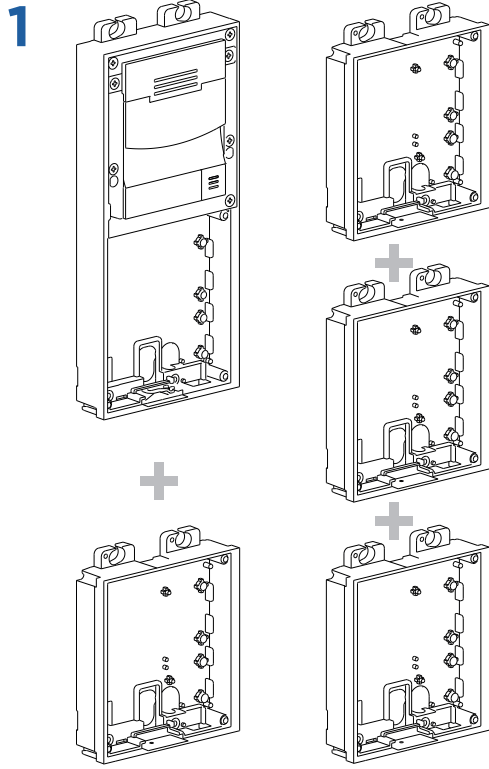
2N® Mobile Key - an application that turns your mobile phone into an access card

2N® Mobile Video - mobile application providing video calls from the intercom to your mobile device

Modularity

MODULARITY CLARIFIED

2N® LTE Verso can be tailored to your requirements. Select the specific modules, frame and mounting box.



Modularity

MODULES

Main unit with camera and internal LTE*
9155401CB-E
9155401C-E

Infopanel
9155030

5 buttons
9155035

RFID card reader 125 kHz
9155032

RFID card reader 13,56 MHz
9155033

RFID card reader 13,56 MHz NFC
9155040

Secure RFID card reader 13,56 MHz with NFC
9155042

Fingerprint reader
9155045

Keypad
9155031B
9155031

Bluetooth
9155046

Touchscreen
9155036

Touch Keypad
9155047

Induction loop
9155041

Blind
9155039

Wiegand
9155037

Tamper switch
9155038

I/O
9155034

2N LTE Verso is supplied with an internal antenna, which is fitted in the module position under the main unit. In case you want to use a different module in this position, an external antenna (9155048) is needed.

FRAMES

Flush installation 1 module
9155011B
9155011

Flush installation 2 modules
9155012B
9155012

Flush installation 3 modules
9155013B
9155013

Surface installation 1 module
9155021B
9155021

Surface installation 2 modules
9155022B
9155022

Surface installation 3 modules
9155023B
9155023

● Black version
● Nickel version

ACCESSORIES

Boxes

Flush-mounting box for 1 module	9155014
Flush-mounting box for 2 modules	9155015
Flush-mounting box for 3 modules	9155016

Other

Extension cable - 1 m long	9155050
Blind button	9155051
Nametag foil	9155052

Backplates

Backplate - 1 module	9155061
Backplate - 2 modules	9155062
Backplate - 3 modules	9155063
Backplate - 2(w) x 2(h) modules	9155064
Backplate - 3(w) x 2(h) modules	9155065
Backplate - 2(w) x 3(h) modules	9155066
Backplate - 3(w) x 3(h) modules	9155067

External antenna

External LTE antenna	9155048
----------------------	---------