



Satellite Speakers Offer the Benefits of IP Paging and Supervision with Fewer Network Drops

The 8198 IP Ceiling Speaker is a SIP compliant and multicast capable PoE+ network audio device for public address and notification. For expanded coverage, up to three satellite speakers may be connected to the 8198 speaker sharing the 16W of available audio power.

For most typical paging applications the number of network cable drops can be reduced by 75% with corresponding reduction in installation time, network ports and cost. Standard network patch cables are used to connect the satellite speakers in a daisy chain string from the 8198 IP speaker.

Identical in appearance and acoustical output to the 8198 IP speaker, the satellite speakers can provide ambient noise response based on the 8198 microphone noise detection and by default automatically adopt the zone and volume settings of the 8198 speaker.

Since an important benefit of IP paging is the ability to supervise speakers for connectivity and operational assurance, the 8198 IP speaker automatically detects each satellite speaker connected and continuously monitors the satellite speakers.

The 8198 is compatible with all leading SIP based premise or hosted UC platforms, leading mass notification software platforms, Polycom Group Page and standard RTP multicast.

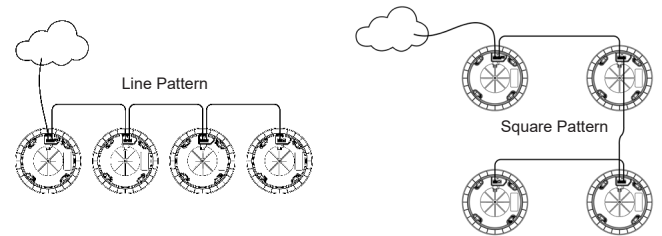
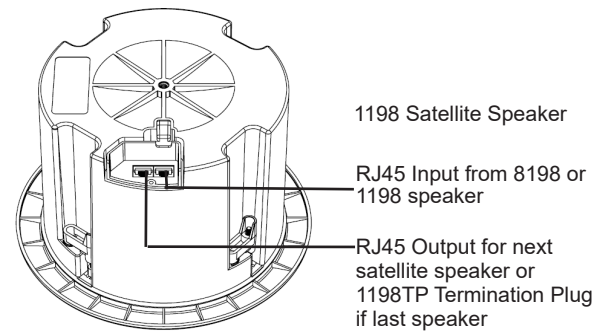
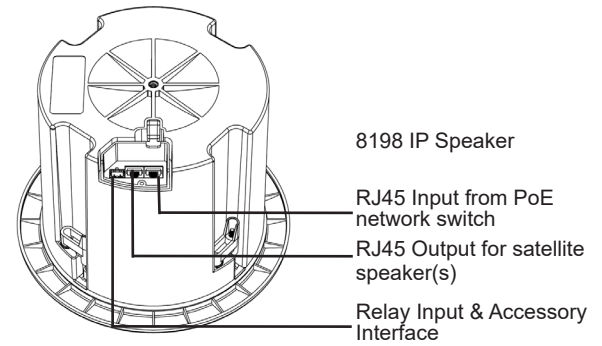
8198 IP Speaker Features:

- SIP, Multicast, Polycom Group Page, InformaCast, Revolution
- 16W audio output power from PoE+
- Web GUI configurable + centralized provisioning
- TLS, MTLS, SRTP security
- Near limitless zoning options
- Multicast scalable
- Ambient noise responsive
- Codec support for G.711, G.722, OPUS 48 kHz

1198 Satellite Speaker Features:

- Identical appearance and acoustical performance to 8198 IP Speaker
- Supervised

Power	
PoE / PoE+	48 V PoE IEEE 802.3af/at Max 25.5 W - Idle nominal 2.5 W
SIP	
Extensions:	50 Page & 10 Alerting/Ring extensions with multicast scalability
Transport Protocols:	UDP, RTP, TCP
Security:	TLS, MTLs, SRTP
Multicast Compatibility	
Multicast:	RTP Multicast (Send & Receive 50 zones),
Third Party Multicast:	Polycorn™ Group Page, Singlewire™ InformaCast, Syn-Apps™ Revolution
API	
API:	RESTful API
Digital IO	
Relay Input	Normally open or normally closed dry contact supervision. Compatible with Algo 1202, 1203, and 1204 Accessories.
Satellite Speakers	
Quantity:	Up to 3 x 1198 Satellite Ceiling Speaker
Speaker Connections:	Patch cable 4 Pair UTP 24 AWG RJ45 plug terminated T568A or T568B "Straight-Through". Maximum recommended patch cable length 50 feet (13m) between each speaker.
Supervision:	Auto-detection and monitoring of up to three satellite speakers
Configuration:	Via host 8198 IP Speaker web interface
Audio	
Audio Codecs:	G.711 A-law, G.711 u-law, G.722, Opus 48 kHz
Driver:	6.5" (16.5 cm) Coaxial UV stabilized
Driver Response:	55 – 18,000 Hz (-10 dB)
Driver Sensitivity:	88 dBA 1m/1W (1 kHz)
Max Audio Power:	16 Watts (shared equally between 8198 and up to 3 x 1198)
Dispersion Angle:	140° (2 kHz -6 dB)
Audio Memory:	1 GB
Microphone:	Omni-directional, talkback and ambient noise monitoring
Audio Controls:	Volume, AGC, Latency, LF Cut
Anti-Feedback Delay:	Cache to memory and release
Network	
Network:	IPv4, IPv6, DHCP, VLAN, MDNS
Secure SIP:	TLS, MTLs, SRTP
Link Layer:	LLDP, CDP
QoS:	DSCP (SIP, RTP, RTCP)
Web Interface:	HTTP, HTTPS
Provisioning:	TFTP, FTP, HTTP, HTTPS DHCP Options 66, 150, 160 Reboot via SIP Check-sync
NAT:	STUN, TURN, CRLF Keep Alive, SIP Outbound
Address Resolution:	DNS, SRV Record
Supervision:	SNMP V1.3, RTCP, Algo 8300
Redundancy:	Secondary & Tertiary SIP Servers
Environmental & Mechanical	
Satellite Speaker Connector:	1 x RJ45 output connector
Environmental:	32 to 104 deg F (0 to +40 degC); 10-95% RH non-condensing. Dry indoor locations only. (Contact Algo for extreme environments)
Dimensions:	8" (20.5cm) Diameter without trim ring, 9.8" (24.9cm) with trim ring. Total height 7.0" (17.8cm)
Mounting:	Blind mounts into 8" hole. Certified for Air Handling Spaces. Clearance requirement of 5.5" (14.0cm) above 1/2" (1.27cm) gypsum board ceiling
Weight:	6 lb (2.7 Kg)
Certified Compliance	
IEC 62368-1, IEEE 802.3-2018, RoHS, CE, FCC Class A, CISPR 32 Class A, CISPR 24, CSA/UL (USA & Canada) & UL2043	

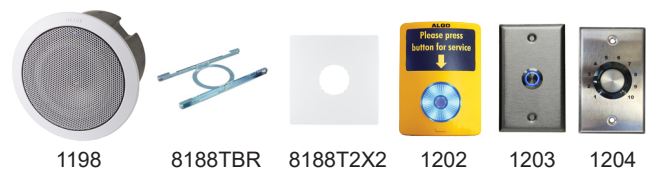


Order Codes:

8198	SIP Ceiling Speaker PoE+
8198-IC	SIP Ceiling Speaker PoE+ InformaCast
1198	Satellite Ceiling Speaker

Compatible Accessories:

1198TP	Terminal Plug (one supplied with 8198, only required if lost)
1202	Customer/Emergency Assistance Button
1203	Wall Switch Single Gang Blue LED
1204	Remote Volume Control
8188MEM	Hydrophobic Membrane for Damp Locations
8188TBR	Ceiling Tile Support Bracket
8188T2X2	Drop-In Ceiling Tile 24" x 24"



DC8198V8 Feb 2022. This product is covered under one or more patents, including US Patent No. 11,202,146. © Algo Communication Products Ltd. All rights reserved. Algo® is a registered trademark of Algo Communication Products Ltd. TM Poly, Polycorn, Singlewire, InformaCast, Syn-Apps, Revolution are trademarks of their respective owners. Note: Specifications are subject to change without notice. Some features may only be available in specific firmware or hardware releases.